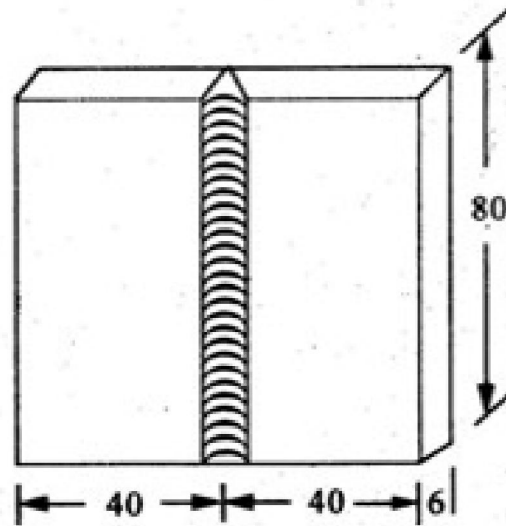


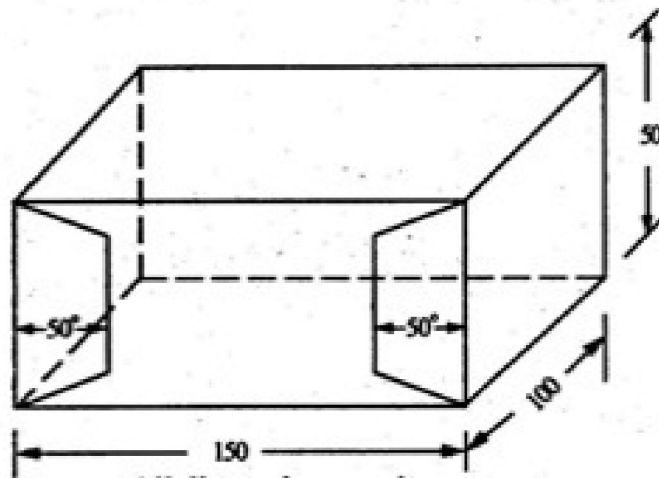
( 2 )

2.



All dimensions are in mm

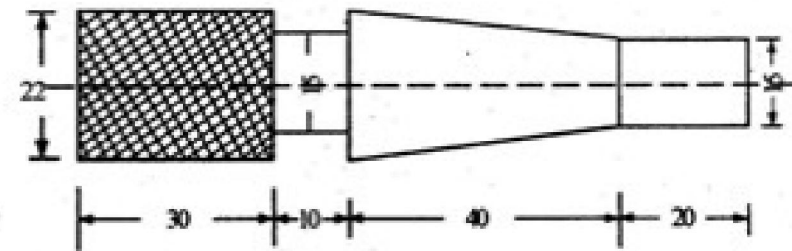
3.



All dimensions are in mm

( 3 )

4.



All dimensions are in mm